

KITCHEN SUPPLY OUTLET BOX

» 696 SERIES

OxBox™

SPECIFICATION

Sioux Chief 696 series OxBox™ outlet box shall be used where necessary in plumbing systems. Unit shall allow for mounting with supply lines from top or bottom, on-stud or between-studs. Unit shall include plated, 1/4-turn valves with 3/8" and/or 1/4" compression outlet. Valve outlets shall be provided with tamper-resistant test caps. Metal support bracket can be installed into tracks of box. Designed in accordance with IAPMO PS 54-2021a.

MATERIALS

Valve body: Forged brass¹
Valve shank: Brass¹ or CPVC with 304SS grip ring, brass nut, silicone seal
Box/Frame: ABS
Arrester body: 304SS barrel with brass¹ body
Arrester piston: Polypropylene with EPDM o-rings
Bracket: Galvanized steel

CERTIFICATIONS/APPROVALS

NSF-372 compliant¹, IAPMO listed box and valves,
 Arresters meet ASSE 1010, Valves meet ASME A112.18.1

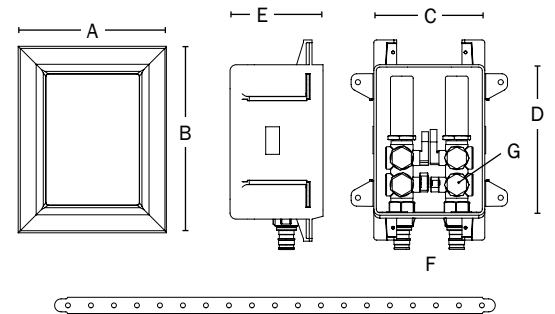
VALVE/ARRESTER WORKING LIMITS

Max Working Temperature: 200° F
Max Testing/Working Pressure: 150 PSIG

DIMENSIONS

A: Frame width 5-7/8"
B: Frame height 7-1/4"
C: Box width 4"
D: Box height 5-1/2"
E: Box depth 3-1/2"
F: Supply inlet 1/2" Nom., 2" O.C.
G: Supply outlet 3/8" or 1/4" Compression
 Bracket length 18"

ITEM # SUBMITTED	_____
JOB NAME	_____
LOCATION	_____
ENGINEER	_____
CONTRACTOR	_____
PO#	_____ TAG _____



Create Item Number

696-ABC

e.g. **696-G4024WR:** Kitchen supply outlet box with TWO 3/8" Hot Outlets, Hot-Side Arrester - ONE 3/8" Cold Outlet and ONE 1/4" Cold Outlet, Cold-Side Arrester - F1960 PEX connection

SUPPLY OUTLET QTY **A**

G30 = 3 outlets
G40 = 4 outlets

ARRESTERS **B**

1 = Single arrester - for HOT side
2 = Dual arresters - for HOT/COLD side

SUPPLY OUTLET SIZE **C**

1 = All outlets (3 or 4) are 3/8" compression
4 = Two or three 3/8" outlets with one 1/4" outlet (COLD side)

SUPPLY CONNECTION **D**

CR = CPVC (male)
MR = MIP/FSWT
PR = MSWT/Press/Push
VR = F3347 PEX
WR = F1960 PEX
XR = F1807 PEX

Accessories - Available Separately:

696-1F: Single-box frame
 696-EX: Frame extension



¹ C69300 material is DZR and SCC resistant, compliant with NSF-61 & 372, and compliant with California No Lead Plumbing Law